

1

2

3

4

5

6

Mark	Rev.	Description	Date	Draw by	Approve by
△	A	Update standard drawing.	2016-10-18	Brian Hsueh	Vincent Wang

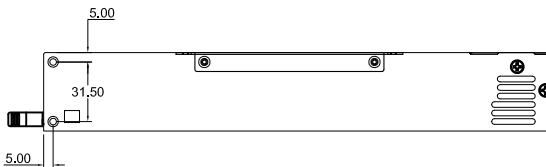
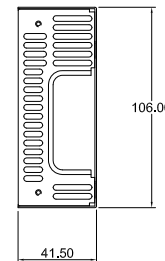
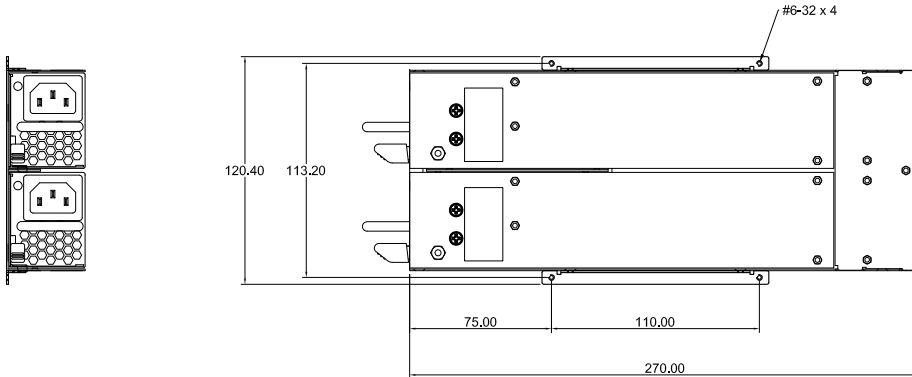
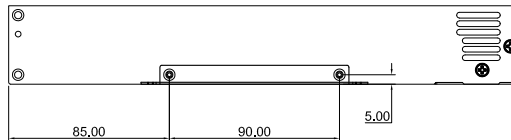
A

B

C

D

E



Locked Bracket:
BLK-30-300HA(NO.30) x2 PCS

TOLERANCES:±0.5mm

NOTES: Tolerance as follows unless otherwise specified tolerances.

LENGTH (mm)	TOLERANCES (mm)
0-30	0.084
31-50	0.100
51-120	0.140
OVER 120	0.185

MODEL NO: KT-300HA

MATERIAL: -

PART NO: AA1130300H00

DRAW NO:



PROJECTION			
UNITS	mm	SCALE	1 : 4
SHEET	1 OF 1		